



WASP3D Video Wall technology combines a single WASP3D Sting Server Play Out solution with a Graphic Card powered by multiple high end GPUs to drive a multi-screen video wall. WASP3D Video Wall solution takes advantage of the full resolution that modern projectors and flat panels can deliver.

A key advantage of WASP3D Video Wall solution is the consistency of workflow - Everything works like the standard WASP3D Workflow. The control clients, the newsroom system integration and play out management work just like everyone is used to.

Designers, journalists and control room operators can continue to work in a familiar environment. Whether a graphic scene is played out on a video wall or a normal WASP3D Sting Server Play Out, is just a matter of choosing the right output channel in the play out client.

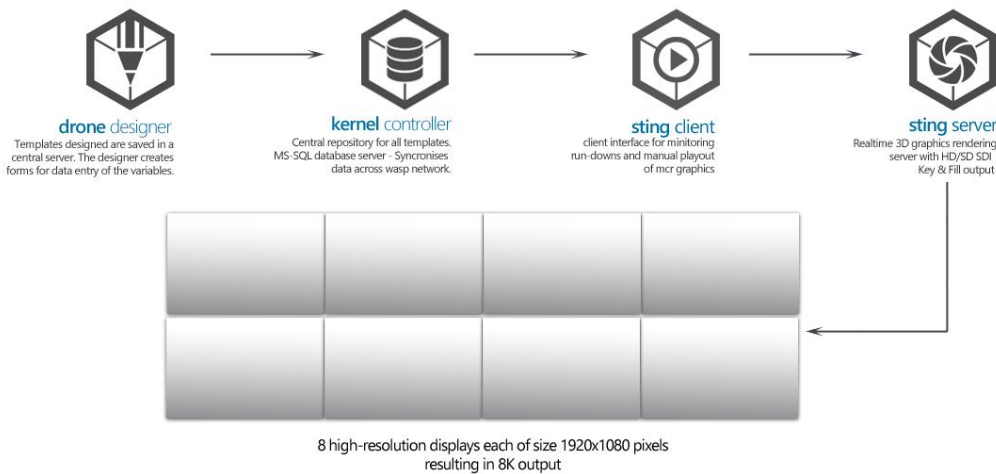
**Key Features:**

- Low Cost: Cut through budgeting with huge cost savings due to independence from proprietary controller applications for your video wall.
- Intuitive interface to manage and control content from one application.
- Display all types of content like graphics, images, live and videos etc. anywhere on the video wall canvas.
- Graphics can be tailored to all aspect ratios.
- Scalable – video wall screens can be added anytime.
- Customizable layouts with presets.
- On the fly content placement.
- Customizable: integration with Router and Multi-Viewer to custom configure the sizes and positions of multiple video inputs on the video wall.
- 4K display resolution.
- 6 video inputs.
- Integration with Financial and Social Media Graphics
- Integration with Tablet WASP3D Video Wall comes with an intuitive interface which can be easily control from a touch screen or tablet.
- MOS support

**Video Wall Workflow:**

For a video wall comprising of 8 screens (4 x 2), the following diagram illustrates hardware linking and output generation:

**Illustration:** Workflow and hardware linking for graphics output.



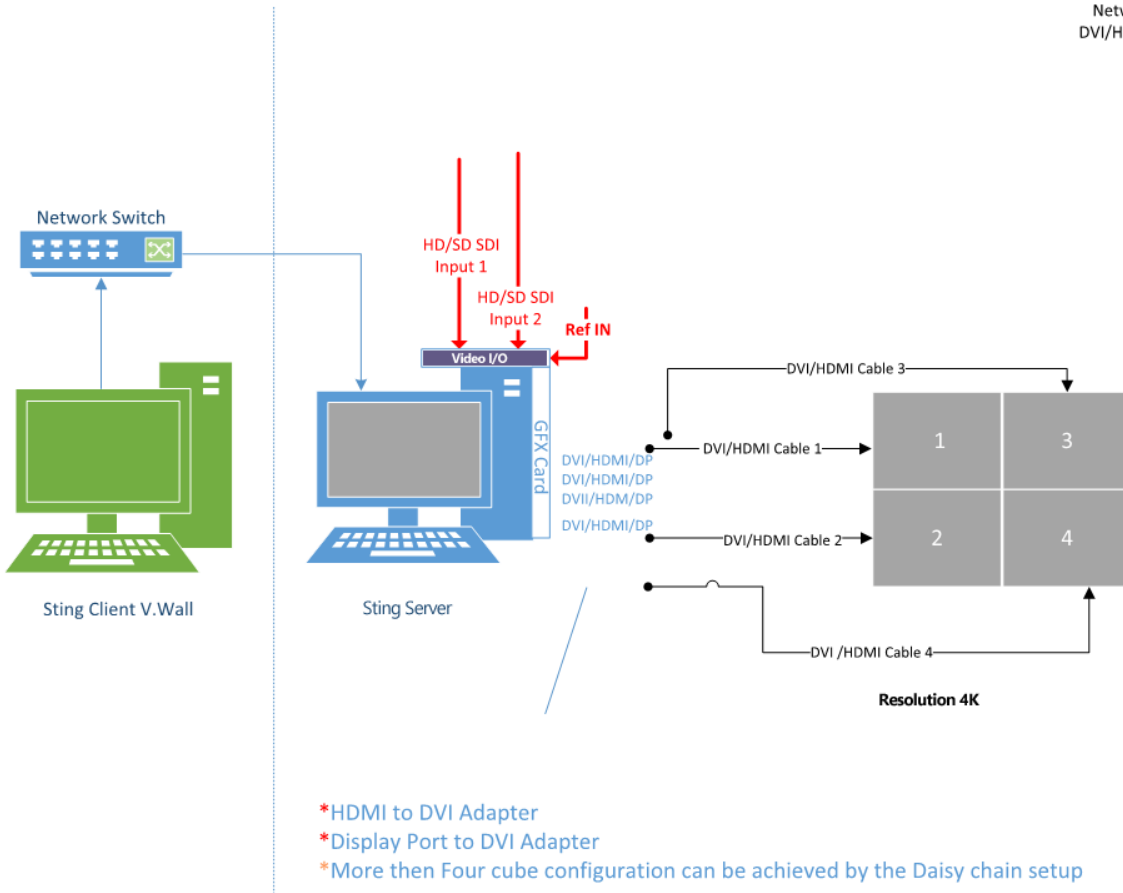
Since the WASP3D Video Wall can generate up to 8 outputs from a single Sting Server.

Engine with a resolution of 1920 x 1080 each, the resultant is a 4K display in DVI format.



**4 screen Video Wall Configuration workflow: (Standard Configuration)**

Video Cable →  
Network cable →  
DVI/HDMI Cable →



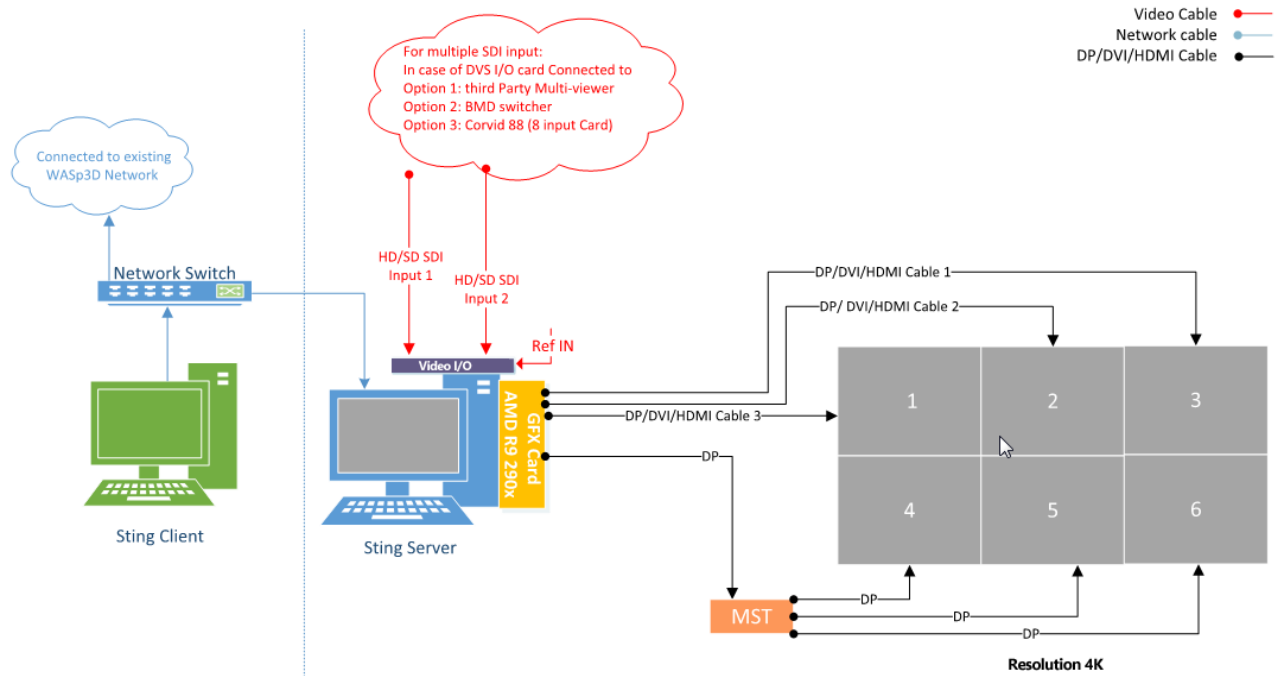
Above image shows a 4 screen video wall configuration. Each Screen at a resolution of 1920 X 1080px with a combined output at a resolution of 4K (3840 X 2160px).

The WASP3D Sting Server provides 4 DVI/HDMI outputs using the graphic card. There is no requirement of daisy chaining in this kind of setup.

Up to 6 Video inputs can be connected to the Video I/O Card.



**6 Screen Video Wall Configuration workflow: (Standard Configuration)**



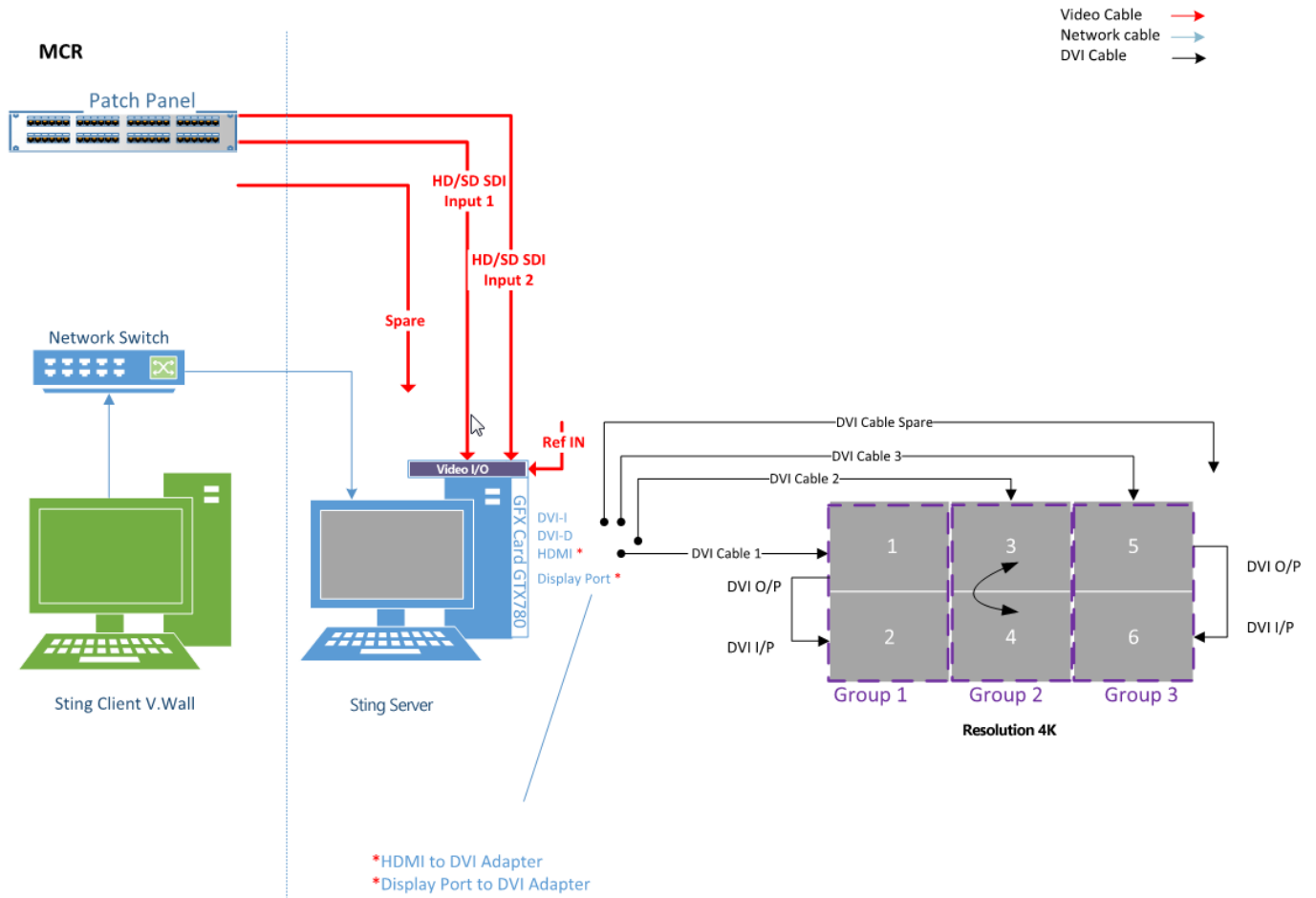
The above image shows a 6 screen video wall configuration. The aspect ratio of the video-wall is set to 2.67.

The WASP3D Sting Server provides 4 DVI/HDMI outputs using the graphic card. There is no requirement of daisy chaining in this kind of setup as a Multi-Stream Transport (MST) hub has been used to provide individual outputs to the screens.

Up to 6 Video inputs can be connected to the Video I/O Card.



**6 Screen Video Wall Configuration, with a group of two workflows: (Optional Configuration)**



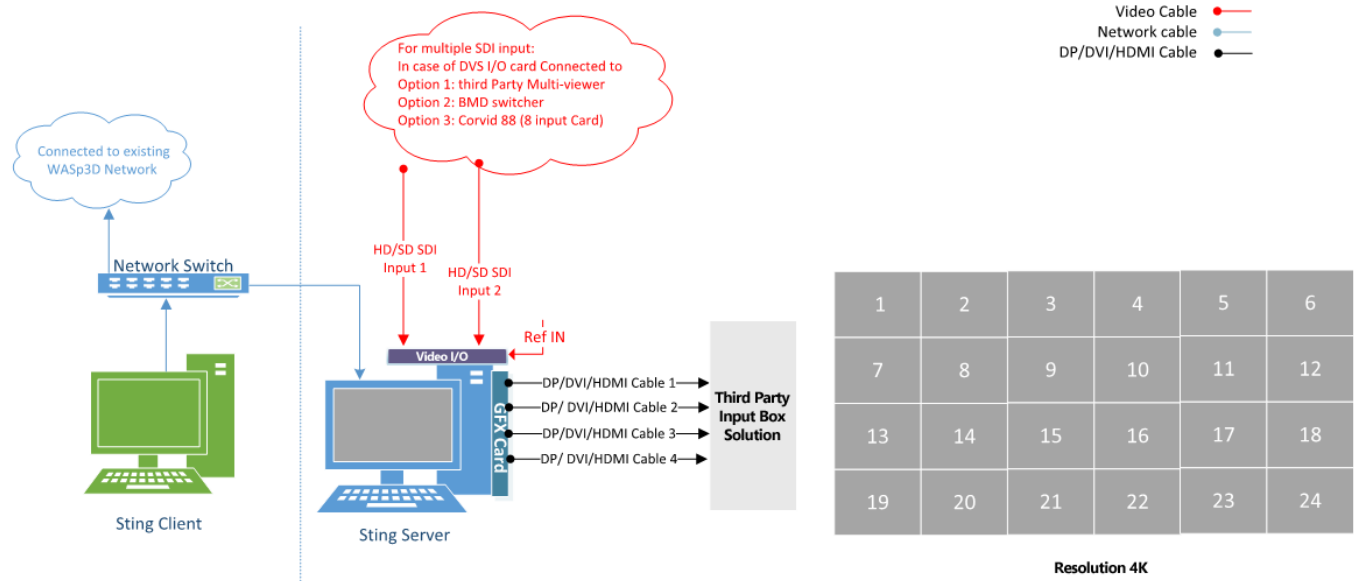
The above image shows a 6 screen video wall configuration. A group of 2 screens have been daisy chained at an aspect ratio of 2.67.

The WASP3D Sting Server provides 4 DVI/HDMI outputs using the graphic card. Each group of daisy chained screens is connected with one DVI/HDMI port.

Up to 8 Video inputs can be connected to the Video I/O Card.



## 24 Screen Video Wall Configuration: (Optional Configuration)



The above image shows a 24 screen video wall configuration.

The WASP3D Sting Server provides 4 DVI/HDMI outputs using the graphic card through a third party input box solution. There is no requirement of daisy chaining in this kind of setup as the distribution is controlled using a 3rd party Input box supplied by the video wall vendor.

Each Screen supports a resolution of up to 720 X 576px. The output is configured at an aspect ratio of 1.875.

Up to 6 Video inputs can be connected to the Video I/O Card.